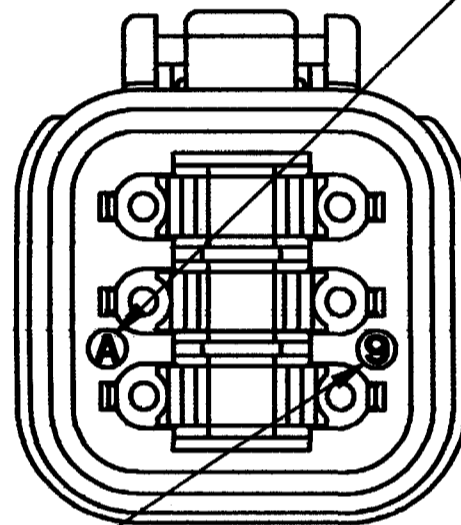
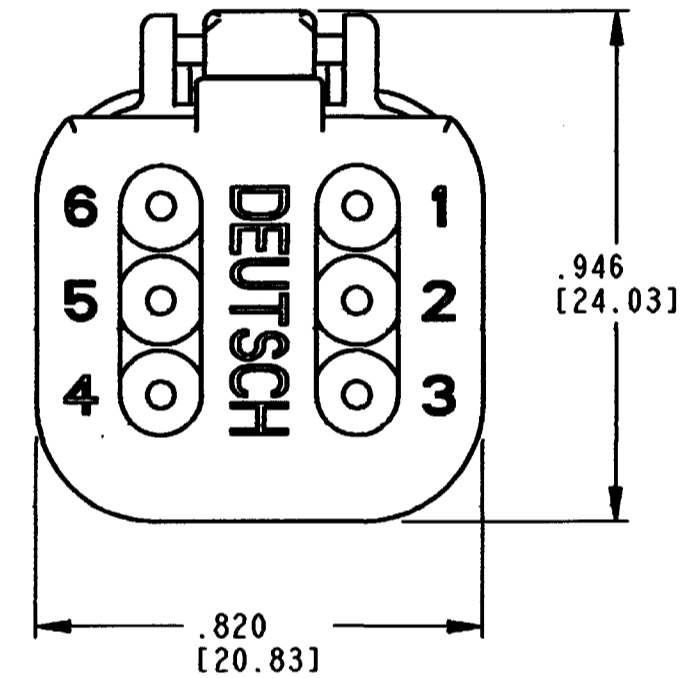
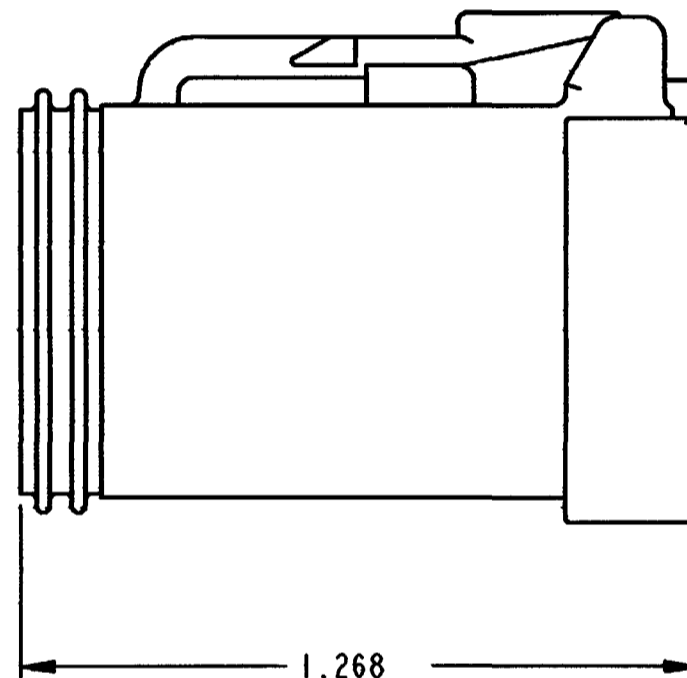


REV A	DT06-6S-E003	REVISIONS		
SYM	DESCRIPTION	DATE	APPROVED	
NC	NEW RELEASE PER E.O. A09342	9/6/90	J.A.	
A	REVISED PER E.O. P20222	5-21-09	RDR	

MONTH IS REPRESENTED BY SEQUENTIAL ALPHA CHARACTERS.  
EX: A = JANUARY



YEAR IS REPRESENTED BY LAST NUMERICAL DIGIT.  
EX: 9 = 2009



5. MATERIAL - SHELL: PLASTIC; COLOR: GRAY  
SEAL: RUBBER.
4. THIS PLUG MATES WITH DT04-6P-\*\*\*\* RECEPTACLE. (\*\*\*\* = ALL MODIFICATIONS). CONSULT FACTORY FOR MODIFICATION.
3. FOR CONTACTS AND WIRE PERFORMANCE AND APPLICATION CHARACTERISTICS SEE ENVELOPE DRAWING 0425-015-0000 AND 0425-017-0000.
2. DIMENSIONS ARE  $\pm .025$  [0.63] UNLESS OTHERWISE SPECIFIED.
1. DIMENSIONS ARE IN INCHES [MILLIMETERS].

NOTES:

CONTACT SIZE	MIN. INSUL O.D.	MAX. INSUL O.D.	WIRE RANGE [mm <sup>2</sup> ]
16	.088 [2.24]	.145 [3.68]	14-20 AWG [2.0-0.5]

SIGNATURE & DATE		6 WAY PLUG -E003 MOD DT SERIES	EP	MATL. CODE
DR	C. WOODRUFF 04SEP90		3850 INDUSTRIAL AVE. HEMET, CA 92545	
CHK	R. Mason 5/21/09		DEUTSCH INDUSTRIAL	
PE	R. Mason 5/21/09		B DT06-6S-E003	
APPD	S. Benf 5-21-09	ENVELOPE	DWG SIZE	CODE 11139 SHEET   OF
SCALE	NONE WT			